

- **Steerable Stabilized Roll**
- **Accepts Any Camera**
- **IMAX Ready**



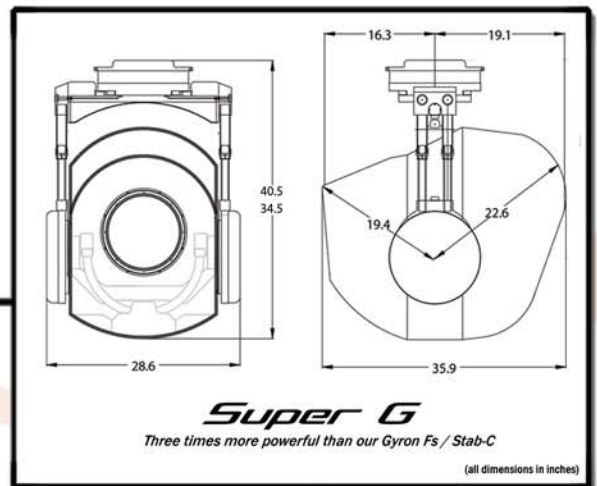
Now Stabilizing Your Creativity At 120 Knots (138Mph)



The Super-G Stabilizes the HI-DEF Genesis Camera



- **Stabilizes any camera or payload**
- **Fully stable image at the end of a 500mm film lens™**
- **Stabilized steerable roll axis**
- **Silent in operation**
- **Wireless control option**
- **120 knot flight speed**



System Specifications

- **Gyro-Stabilization** 5 axis high bandwidth full stabilization
- **Operational Ranges** Type 'A' (Low micro-radian)
 - Pan 360° continuous □ 120°/sec.
 - Tilt 123° □ 60°/sec.
 - Roll +/- 50° max; Steerable or Auto Level □ 60°/sec.
- **System Orientation** Hanging
- **Max Lens Stabilized™** 25-500mm Film Lens(Standard)
10-1440mm Video Lens (Advanced-call for details)
- **Environmental** -22°F to 120°F (-30°C to 45°C) Sealed for Rain
- **Max. Payload Wt.** 130 Lbs. (59Kg.)
- **Max. Payload Size** 12.25"W x 18"H x 36"L (31.1cm x 45.7cm x 91.4cm)
- **System Weight** 200 lbs. (91Kg.) Includes Housing
- **Flight Speed** 120 Knots
- **Power Requirements** 24-28 VDC (85 watts standby, 420 watts dynamic max)
- **Targeted Tracking** Automatic
- **Back Pan Correction** Automatic/Selectable
- **Operator Controls** Wheels or Joystick
- **Lens Control** Preson FI+Z included

™ Measured under optimal conditions, actual results may vary.

Cameras Accepted

- Wired to accept entire product line of: Panavision, Arriflex, Moviemax, Imax MSM, Iwerks 870 & 1570, Mitchell R35 MkII, Paramount Vistavision (call for others)
- All HI-DEF and broadcast video cameras
- Entire range of today's most sophisticated lenses

Helicopter Brackets

- Available for the A-Star and Twin-Star (call for other aircraft)